

## MARQUEE FRAME

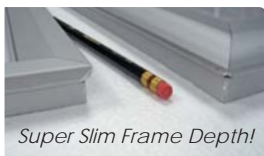
### A USER FRIENDLY FRONT-LOADING FRAME

The Marquee Frame is a “user-friendly” front-loading graphic frame system manufactured for the signage professional. The modern contour frame boldly outlines your graphic creating more attention to your message and product brand. Specifically designed for large graphics, Marquee holds graphic securely along the entire perimeter.

Available in Anodized aluminum and black Finishes. Custom colors are also available, minimums may apply.

- Snap-open, snap closed rails make it simple to change graphics
- Rounded edges create a bold contemporary look
- Available in bright satin and classic black finishes
- Custom colors are also available (minimums may apply)
- Snaps securely into graphic face holding in firmly in place

Variety of back insert panels are available, including natural finish, white laminate, marker board, corrugated plastic, peg board, and LED light panels with exclusive 3D-crystal acrylic lens. Designed for interior and exterior graphic applications. The sleek, all aluminum profile can enhance any signage installation. It’s round, beveled edges flow into each precision mitered corner creating a look that is uniquely new and innovative.



ITEM#	GRAPHIC SIZE
B0-1600	36”w x 48”h
B1-1601	30”w x 40”h
B2-1602	24”w x 36”h
C1-1605	22”w x 28”h
C2-1606	24”w x 24”h
C3-1607	20”w x 20”h
B3-1603	18”w x 24”h
B4-1604	11”w x 14”h
B5-1609	8½”w x 11”h



## SPECIFICATIONS

### Colors / Finishes:

Clear Satin Anodized and Black Anodized finish 3 mil.  
Note: Other colors are available; minimums may apply.

### Corners:

Factory mitered for precise clean edges.

### Backer Board Options:

The standard backer:

1/8” thick low-pressure laminated hardboard surfaced white on front side. This substrate is intended for interior use only.

Additional backers are:

Fluted plastic - (Coroplast). Interior and exterior use.

Polystyrene - white two sided. Interior and exterior use.

Dry Erase laminate on 1/8” hardboard substrate one side.

Interior use.

Acrylic - for illumination

### Frame Profile Sizes

Face profile - Width: 1-3/4” (45 mm) Depth: 5/16”

Wall Thickness: .050” Open Back Profile - Width 9/32”

Open Back Profile - Width 1 9/16”

### Frame Maximum Size:

Any size can be custom made up to 94” x 94” poster size. (46”x 94” w/backer)

Larger sizes are capable by joining top and back profile in “seamed” sections allowing for your larger graphics projects.

### Standard sizes:

All frame dimensions are “graphic size”. For frames outside dimensions add 2” to height and width.



## SEKÜREFRAME™

A USER FRIENDLY FRONT-LOADING FRAME

The industry standard “Spring Hinges” are precisely sized to insure a quality opening and closing for years of use. The unique frame design allows hinges to be removed or added to create the tension that is appropriated for your application. By increasing the tension, SeküreFrame™ is the perfect choice for tamper resistance in areas such as hallways, rest rooms, airports and more.

This unique frame offers you the choice of open back feature (for wall mount) or “with backer”. The optional back feature allows you the option to present a permanent message when your poster is not in place. Additionally the backer can be used to allow for custom shaped Die-Cut portions of the back panel to extend past the top/side of the frame.

SeküreFrame™ is a “user-friendly “ front-loading graphic frame system manufactured for the signage professional. Designed for interior and exterior graphic applications. The slim all aluminum profile can enhance any signage installation. Inspired by classic “Art Deco” style, SeküreFrames™ stylized lines flow into each precision mitered corner creating a look that is uniquely new and innovative.

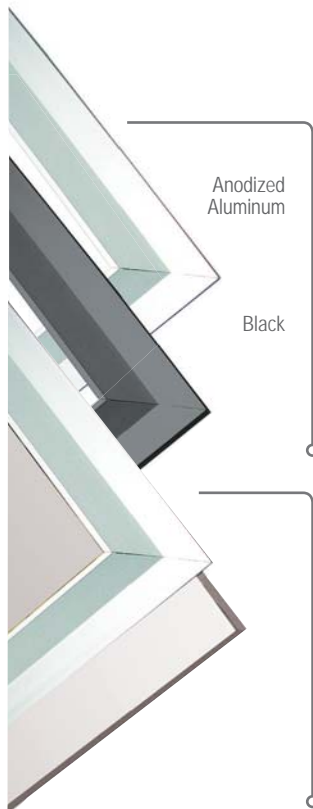
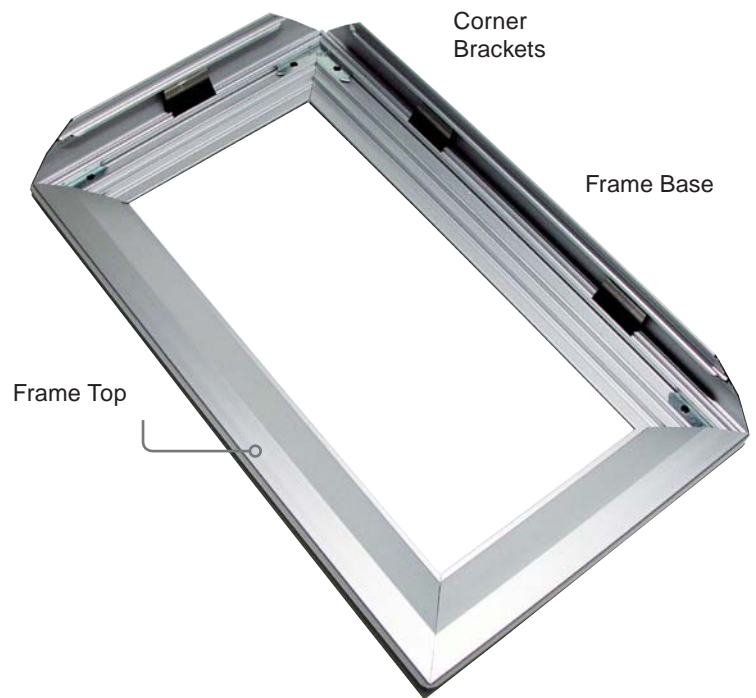


Spring Hinge

Corner Brackets

Frame Base

Frame Top



Anodized Aluminum

Black

SEKÜREFRAME™ COLORS

BACKER BOARD PROFILE

### DIE-CUT GRAPHICS



The Backer Board Profile allows you to place semipermanent “die-cut” graphics behind the frame while leaving the front open to promotions.



## SPECIFICATIONS

### Colors / Finishes:

Clear Satin Anodized and Black Anodized finish 3 mil.  
 Note: Other colors are available; minimums may apply.

### Corners:

Factory mitered for precise clean edges.

### Backer Board Options:

The standard backer:  
 1/8" thick low-pressure laminated hardboard surfaced white on front side. This substrate is intended for interior use only.  
 Additional backers are:  
 Fluted plastic - (Coroplast). Interior and exterior use.  
 Polystyrene - white two sided. Interior and exterior use.  
 Dry Erase laminate on 1/8" hardboard substrate one side. Interior use.

### Frame Profile Sizes

31.75 mm width.  
 Face profile - Width: 1 1/4", Depth: 5/16",  
 Wall Thickness: .050"  
 Open Back Profile - Width 1 9/16"

### Frame Maximum Size:

Any size can be custom made up to 94" x 94" poster size. (46"x 94" w/backer)  
 Larger sizes are capable by joining top and back profile in "seamed" sections allowing for your larger graphics projects.

### Standard sizes:

All frame dimensions are "graphic size". For frames outside dimensions add 2" to height and width.

ITEM#	GRAPHIC SIZE
B0-1600	36"w x 48"h
B1-1601	30"w x 40"h
B2-1602	24"w x 36"h
C1-1605	22"w x 28"h
C2-1606	24"w x 24"h
C3-1607	20"w x 20"h
B3-1603	18"w x 24"h
B4-1604	11"w x 14"h
B5-1609	8½"w x 11"h

For the "do it yourself", all components are available in stock sizes and color finishes. Refer to 'page 26' for components ordering.





## 2-WAY FRAME

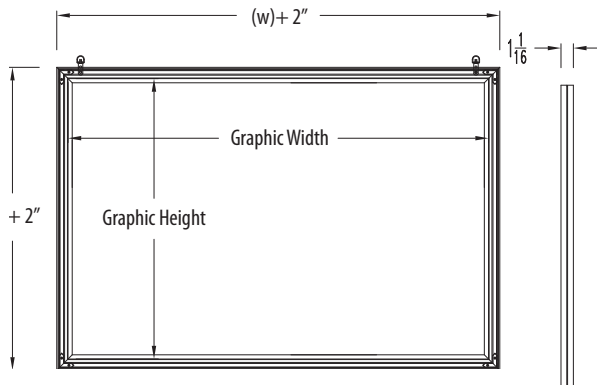
### 2-SIDED SUSPENDED DISPLAY

Wall+Forms 2-WayFrame is the latest member of the EuroSign™ Family of signage products. We start with our ‘user-friendly’ front-loading SeküreFrame™ manufactured for the signage professional. We combine two frames in a “back-to-back” configuration with hanging tabs for suspended applications.

Each side of the 2-WayFrame easily opens to accept signage. The industry standard “Spring hinges” are precisely sized to insure a quality opening and closing for years of use. The optional back feature allows you the option to present a permanent message when your poster is not in place. To protect your graphic panel from moisture and dirt, clear “anti-reflective” lenses are also available.



Pre-attached hanging tabs



## SPECIFICATIONS

### Colors/ Finishes:

Standard frame finishes are - Clear Satin Anodized and Black Anodized finish 3 mil. Note: other colors are available; minimums may apply.

### Backer Board Options:

The standard backer is 1/8” thick low-pressure laminated hardboard surfaced white on front side. This substrate is intended for interior use only.

Additional backer panels:

Fluted plastic - (Coroplast). Interior and exterior use.

Polystyrene - white two sided. Interior and exterior use.

### Frame Sizes:

All frame dimensions are “graphic size”. For frames outside dimensions add 2” to height and 2” to width. Height and width must be specified when ordering to mount hanging tabs in proper location for portrait or landscape applications. Any size can be custom made up to 46” x 94” poster size.

Note: Custom sizes available upon request.

Please contact customer service for prices and product details.

ITEM#	GRAPHIC SIZE
BO-1600-2Way	36”w x 48”h
B1-1601-2Way	30”w x 40”h
B2-1602-2Way	24”w x 36”h
C1-1605-2Way	22”w x 28”h
C2-1606-2Way	24”w x 24”h
C3-1607-2Way	20”w x 20”h
B3-1603-2Way	18”w x 24”h
B4-1604-2Way	11”w x 14”h
B5-1609-2Way	8½”w x 11”h

For the “do it yourself”, all components are available in stock sizes and colors finishes. Refer to ‘page 26’ for components ordering.



## 4-WAY FRAME

### 4-SIDED SUSPENDED DISPLAY

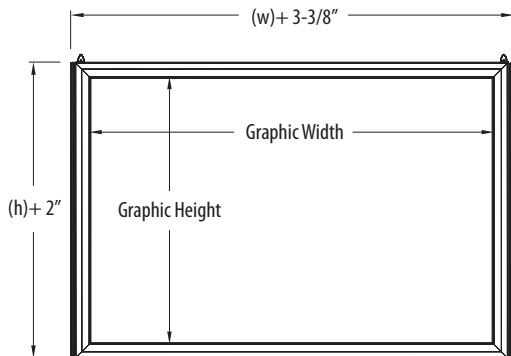
Create 4-sided suspended displays without breaking your budget. 4-WayFrame assembles in minutes, saving you both headaches and money on installation. With just two simple screws at each corner, the 4-WayFrame can be assembled quickly and easily; no special tools or installation crew are necessary.

Frames are front-loading for easy graphic changing. Never needs to be disassembled to change graphics. Simply snap open the SeküreFrame™ to change graphics in and out instantly.

Display ships broken down for easy shipping. Optional backer panels and “anti-reflective” protective lenses also available.



L-Channel & Hanger Tabs



## SPECIFICATIONS

### Colors/ Finishes:

Standard frame finishes are - Clear Satin Anodized and Black Anodized finish 3 mil. Note: other colors are available; minimums may apply.

### Backer Board Options:

The standard backer is 1/8” thick low-pressure laminated hardboard surfaced white on front side. This substrate is intended for interior use only.

Additional backer panels:

Fluted plastic - (Coroplast). Interior and exterior use.

Polystyrene - white two sided. Interior and exterior use.

### Frame Sizes:

All frame dimensions are “graphic size”. For frames outside dimensions add 2” to height and 2” to width. Height and width must be specified when ordering to mount hanging tabs in proper location for portrait or landscape applications. Any size can be custom made up to 46” x 94” poster size.

Note: Custom sizes available upon request.

Please contact customer service for prices and product details.

ITEM#	GRAPHIC SIZE
BO-1600 – 4Way	36”w x 48”h
B1-1601 – 4Way	30”w x 40”h
B2-1602 – 4Way	24”w x 36”h
C1-1605 – 4Way	22”w x 28”h
C2-1606 – 4Way	24”w x 24”h
C3-1607 – 4Way	20”w x 20”h
B3-1603 – 4Way	18”w x 24”h
B4-1604 – 4Way	11”w x 14”h
B5-1609 – 4Way	8½”w x 11”h

For the “do it yourselfer”, all components are available in stock sizes and colors finishes. Refer to ‘page 26’ for components ordering.